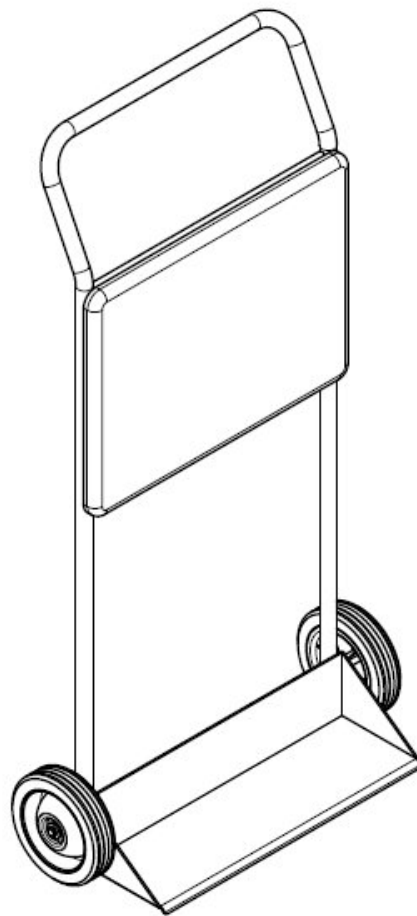


## CTH/7 Chair Trolley

The CTH/7 is a 2-wheeled chair trolley with a padded panel for transporting stacks of mesh backed chairs. The trolley enables the chairs to be moved with maximum ease and minimum effort.

Features include:

- Tubular mild steel construction throughout
- Pewter hammer finish powder coated frame
- Upholstered panel for protection of mesh upholstery
- Rubber wheels



Specifications (cm)				
Description	Width	Length	Height	Weight
CTH/7	66	26	113	8.5 kg

### Burgess Furniture Ltd

Hanworth Trading Estate, Feltham, Middlesex, TW13 6EH, UK  
 Telephone: +44 (020) 8894 9231 / Fax: +44 (020) 8894 2943  
 Email: sales@burgessfurniture.com / Web: www.burgessfurniture.com

